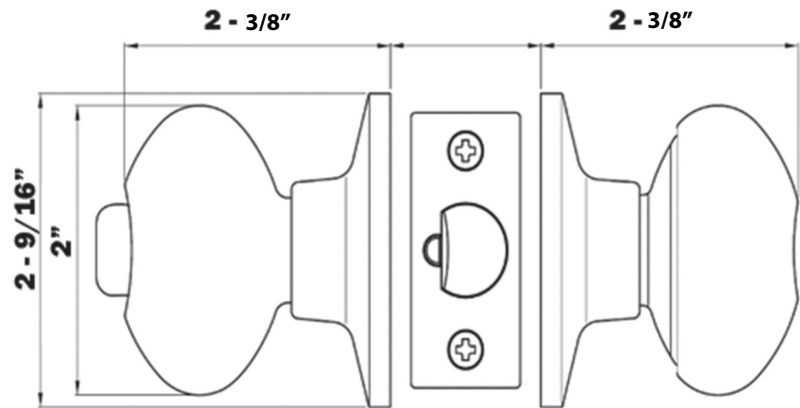


MaxGrade Hardware
Professional Grade Quality Locksets
Watson Knob Specifications



Quality and Value ... to the **MAX!**



Standard Features	
Latch: 1" housing diameter, 1/2" throw	
Backset: Adjustable 2-3/8" or 2-3/4"	
Strike: 1-3/4" x 2-1/4" radius corner, full lip	
Cylinder: 5-pin Schlage or Kwikset keyway	
Door Thickness: 1-3/8" - 1-3/4"	
Door Prep: 2-1/8" bore	
Knob Material: Brass	
Warranty: Lifetime mechanical and finish warranty	
Available Finishes	
Bright Brass (3)	Aged Bronze (11H)
Antique Brass (5)	Satin Nickel (15)
Oil Rubbed Bronze (10B)	Antique Nickel (15A)

Watson Knob Functions	
100 Passage/Hall/Closet	Outside and inside knob/lever always unlocked
200 Privacy/Bed/Bath	Turn button locking on inside knob/lever; May be unlocked from outside in an emergency
300 Entry	Entrance Lock - unlocked by key from outside when outer knob/lever is locked by inside turn button
400 Dummy	Single dummy trim for one side of door. Used as a door pull
500 Combo Pack	Keyed Entry & Single Cylinder Deadbolt keyed alike