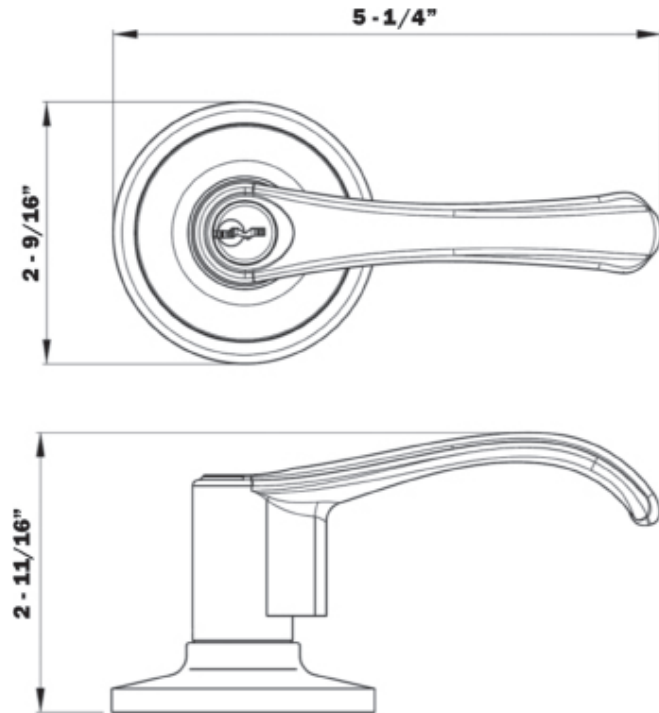


MaxGrade Hardware
Professional Grade Quality Locksets
Trent Lever Specifications



Quality and Value ... to the **MAX!**



Standard Features
Latch: 1" housing diameter, 1/2" throw
Backset: Adjustable 2-3/8" or 2-3/4"
Strike: 1-3/4" x 2-1/4" radius corner, full lip
Cylinder: 5-pin Schlage or Kwikset keyway
Door Thickness: 1-3/8" - 1-3/4"
Door Prep: 2-1/8" bore
Lever Material: Zinc
Warranty: Lifetime mechanical and finish warranty
Available Finishes
Bright Brass (3) Aged Bronze (11H) Satin Nickel (15)

Trent Lever Functions	
100 Passage/Hall/Closet	Outside and inside knob/lever always unlocked
200 Privacy/Bed/Bath	Turn button locking on inside knob/lever; May be unlocked from outside in an emergency
201 Privacy/Bed/Bath	Push button locking on inside knob/lever; Turning inside knob/lever releases push-button; May be unlocked from outside in an emergency
300 Entry	Entrance Lock - unlocked by key from outside when outer knob/lever is locked by inside turn button
400 Dummy	Single dummy trim for one side of door. Used as a door pull