

MaxGrade Hardware
Professional Grade Quality Locksets
T Series Grade 2 Tubular Levers Specifications



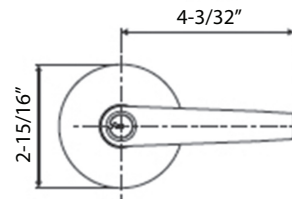
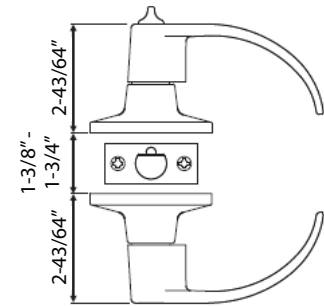
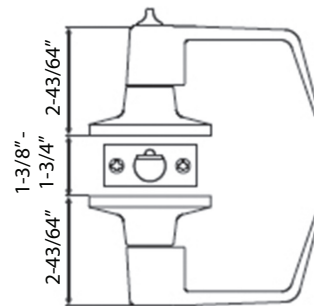
Quality and Value ... to the **MAX!**



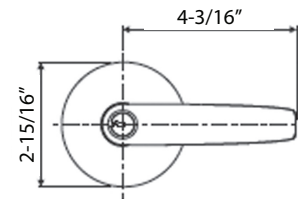
MO Passage



TX Dummy



MO Lever



TX Lever

Standard Features	
Latch:	UL Listed, 1" x 2-1/4" square corner faceplate with 1/8" filler plate, 1/2" throw stainless steel
Backset:	Adjustable 2-3/8" or 2-3/4"
Strike:	1-1/4" x 4-7/8" ASA strike, 1-1/8" x 2-3/4" T-Strike Optional
Cylinder:	6 pin solid brass cylinder, Schlage C keyway
Door Thickness:	1-3/8" - 1-3/4"
Warranty:	Lifetime mechanical and finish warranty
Door Prep:	2-1/8" bore
Lever Material:	Pressure Cast Zinc
Available Finishes	
Satin Chrome (26D)	

T Series Grade 2 Tubular Lever Functions	
100 Passage/Hall/Closet	Outside and inside lever always unlocked
200 Privacy/Bed/Bath	Push button locking on inside lever. May be unlocked by emergency release outside, operating inside lever or closing door
300 Entry	Turn button locking on inside lever. Must use key until turn button is manually unlocked.
400 Dummy	Single dummy trim for one side of door. Used as a door pull or inactive trim
600 Classroom	Outside lever locked or unlocked by key. Inside lever always unlocked
700 Storeroom	Outside lever fixed. Entrance by key only. Inside lever always unlocked