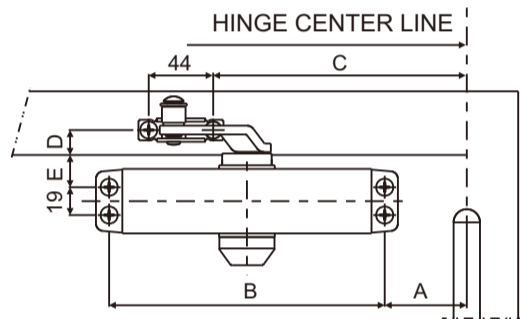
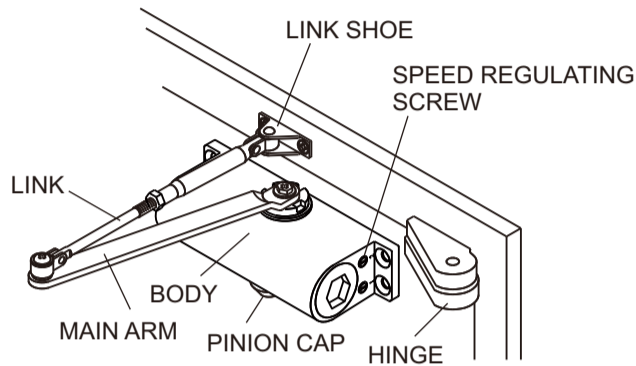


INSTALLATION INSTRUCTIONS FOR DOOR CLOSER

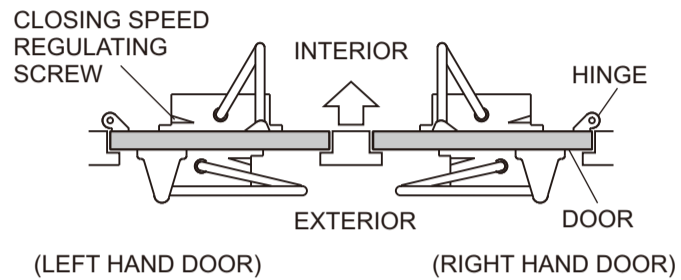
1. DIMENSION CHART

Standard type door closer application



TYPE	A	B	C	D	E
NO.2 · NO.3 (155°)	66	162	165	17	22
NO.2 · NO.3 (120°)	116	162	215	17	22
NO.4 · NO.5 (155°)	66	208	193	17	28
NO.4 · NO.5 (120°)	106	208	233	17	28

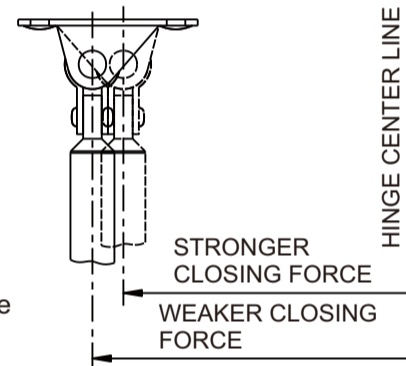
2. CHECK DOOR HANDLING



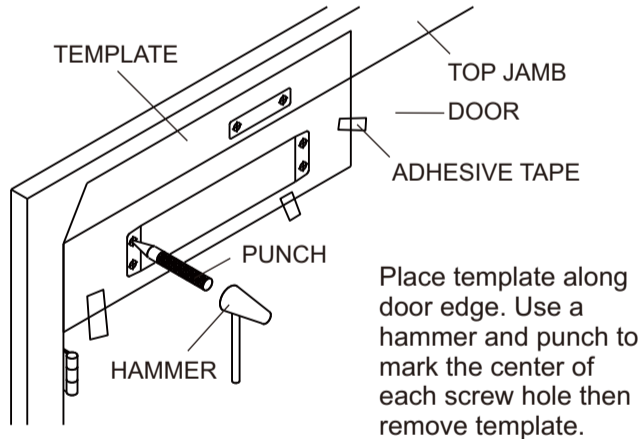
(LEFT HAND DOOR) (RIGHT HAND DOOR)
 This door closer can be applied to both right hand(RH) and left hand(LH) door opening. Before installation, check door handling by referring to illustration shown above.

3. ADJUST CLOSING FORCE

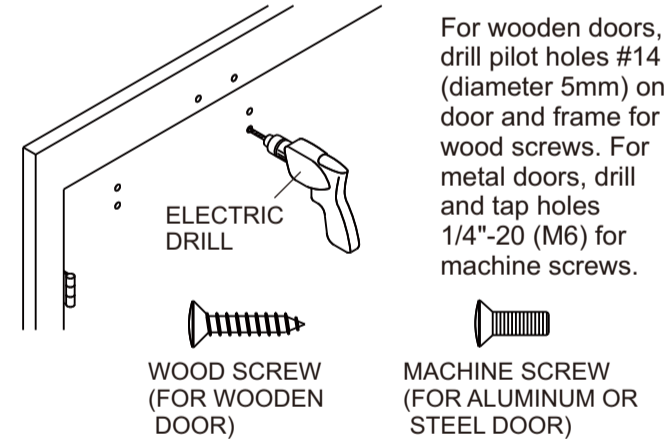
Closing force can be changed by turning link shoe 180° before installation. The longer distance from link to hinge center line will make closing force weaker. The shorter distance will make closing force stronger.



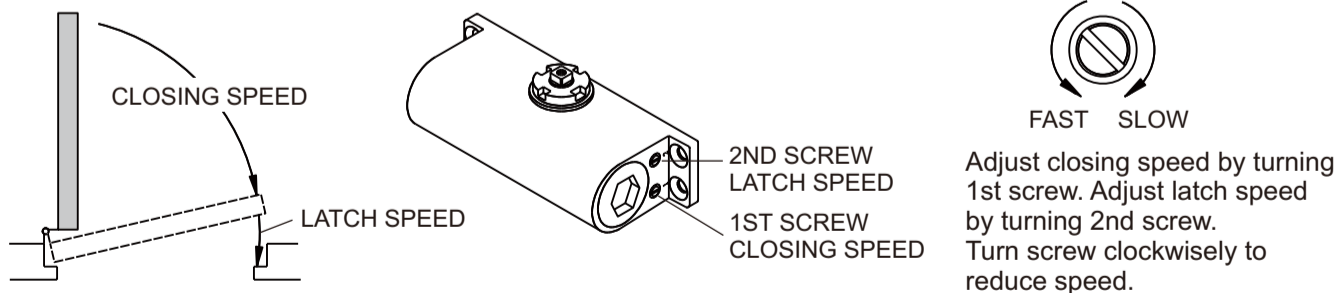
4. MARK ON THE DOOR AND TOP JAMB

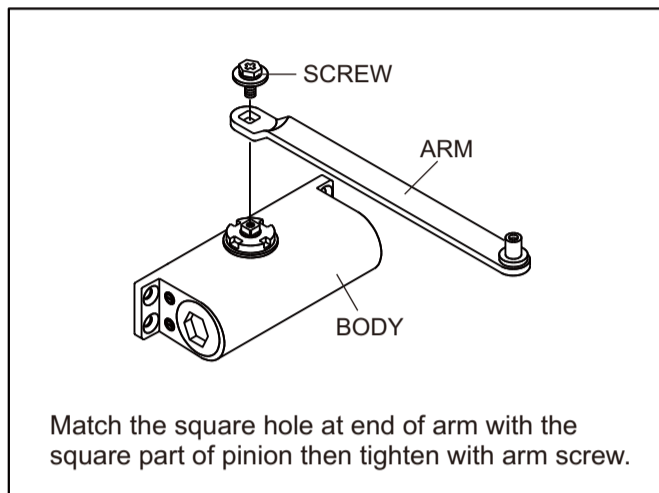
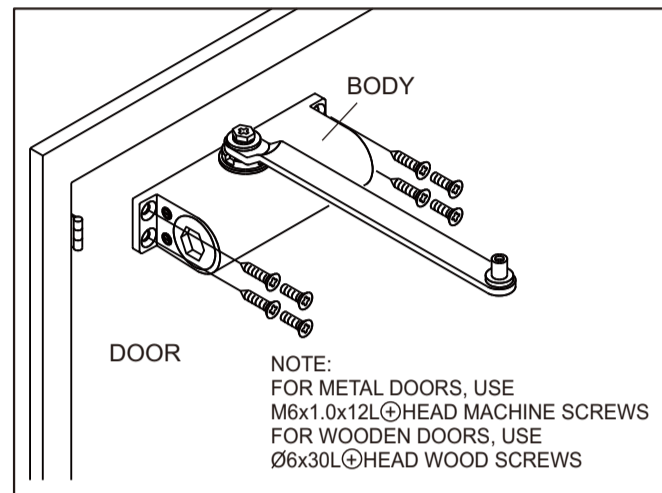
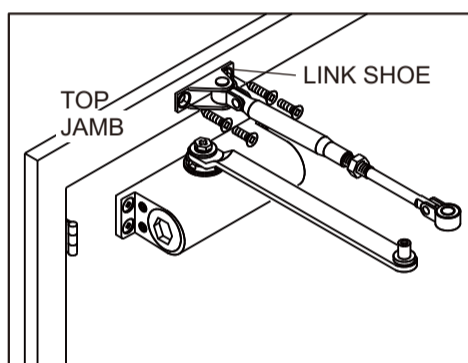


5. DRILL HOLES

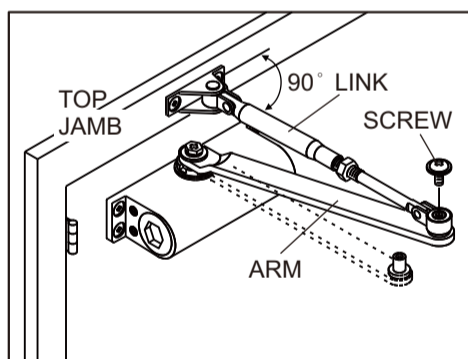


6. ADJUST SPEED

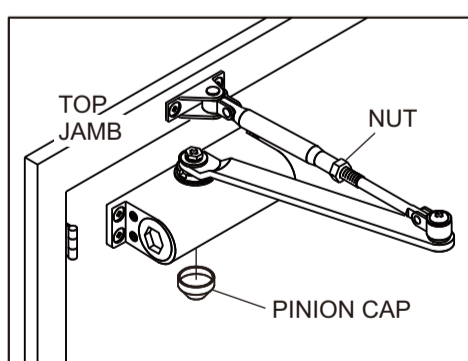


7. CONNECT ARM WITH BODY**8. INSTALL BODY****9. FIX LINK SHOE**

Fix link shoe on top jamb to match the holes and tighten with 2 screws.

10. CONNECT ARM WITH LINK

Keep the link to be vertical to the top jamb, adjust the length of the link and rotate the arm to match the ends of both the link and the arm each other, then connect arm with a locking screw.

11. COMPLETE INSTALLATION

Put pinion cap onto the pinion, tighten the nut on the link, and complete the installation.