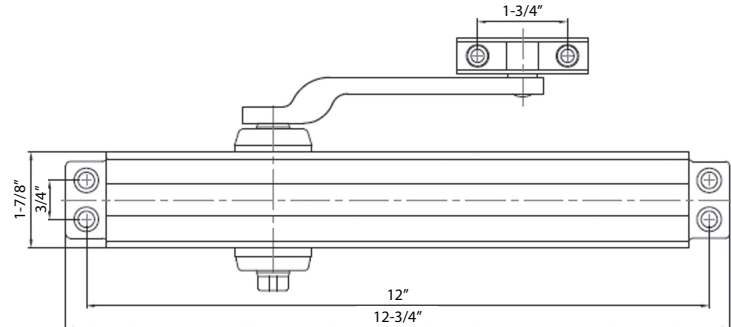
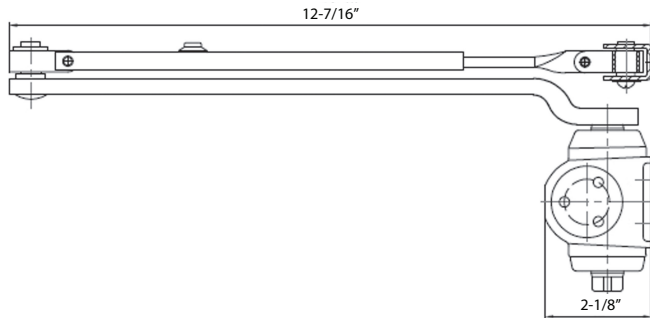


MaxGrade Hardware  
MDC200 Series Grade 1 Heavy Duty Closers



Quality and Value ... to the **MAX!**



Standard Features	
<b>Valves:</b>	Adjustable latching and sweep speed valves; Adjustable back check control
<b>Arms &amp; Brackets:</b>	Forged steel arm, standard tri-pack for regular, top jamb and parallel arm applications
<b>Opening Angle:</b>	Standard arm applications allow doors to swing 180 degrees, conditions permitting
<b>Power Size:</b>	Non sized, adjustable 1 thru 6
<b>Warranty:</b>	Lifetime mechanical and finish warranty
<b>Fasteners:</b>	Self-tapping screws, machine screws, and sex bolts standard
<b>Material:</b>	Heavy duty aluminum alloy body
Available Finishes	
Dark Bronze Aluminum	



MDC200ALUM



MDC200DKB

800-233-4210

topnotchinc.com

maxgradehardware.com