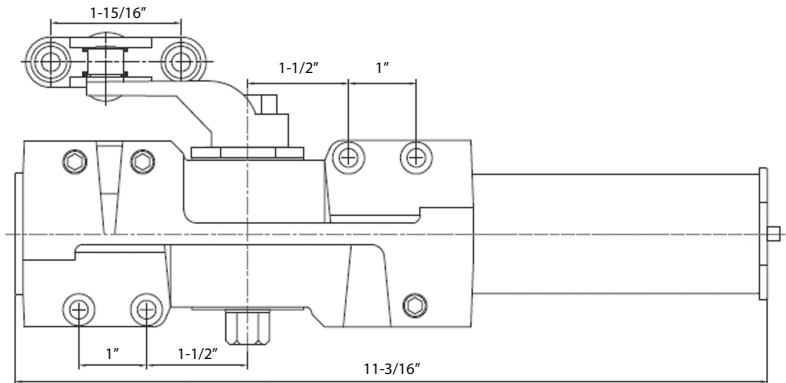
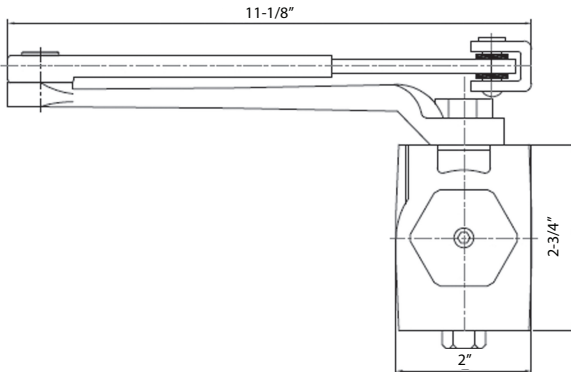


MaxGrade Hardware
MDC100 Series Grade 1 Extra Heavy Duty Closers



Quality and Value ... to the **MAX!**



Standard Features	
Valves:	Adjustable latching and sweep speed valves; Adjustable back check control
Arms & Brackets:	Forged steel arm, standard tri-pack for regular, top jamb and parallel arm applications
Opening Angle:	Standard arm applications allow doors to swing 180 degrees, conditions permitting
Power Size:	Non sized, adjustable 1 thru 6
Warranty:	Lifetime mechanical and finish warranty
Fasteners:	Self-tapping screws, machine screws, and sex bolts standard
Material:	Heavy duty cast iron body
Available Finishes	
Dark Bronze Aluminum	



MDC100ALUM



MDC100DKB

800-233-4210

topnotchinc.com

maxgradehardware.com