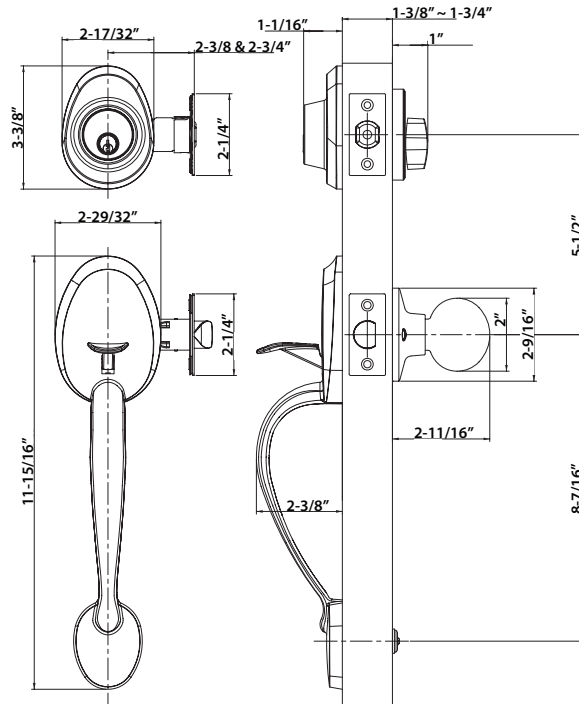


MaxGrade Hardware
Professional Grade Quality Locksets
Holmes Handleset Specifications



Quality and Value ... to the **MAX!**



Standard Features	
Latch:	Deadbolt- 1" housing diameter, 1" throw Spring- 1" housing diameter, 1/2" throw
Backset:	Adjustable 2-3/8" or 2-3/4"
Strike:	Deadbolt- 1-1/8" x 2-3/4" square corner Spring- 1-3/4" x 2-1/4" radius corner, full lip
Cylinder:	5-pin Schlage or Kwikset keyway
Door Thickness:	1-3/8" - 1-3/4"
Grip Material:	Zinc
Warranty:	Lifetime mechanical and finish warranty
Door Prep:	2-1/8" bore

Holmes Handleset Functions	
800 Entrance Handleset	Active handleset/entrance lock exterior - Outside grip with single cylinder deadbolt and trim
880 Dummy Handleset	Inactive handleset exterior - Includes handleset and dummy cylinder

*Requires interior trim for complete handleset

Available Finishes	
Bright Brass (3)	Aged Bronze (11H)
Antique Brass (5)	Satin Nickel (15)
Oil Rubbed Bronze (10B)	Antique Nickel (15A)

800-233-4210

topnotchinc.com

maxgradehardware.com