

MaxGrade Hardware
Professional Grade Quality Locksets
Exit Device Trim



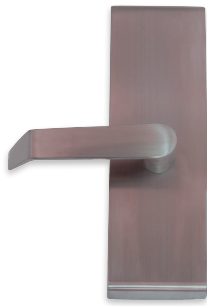
Quality and Value ... to the **MAX!**



MET100TP32D



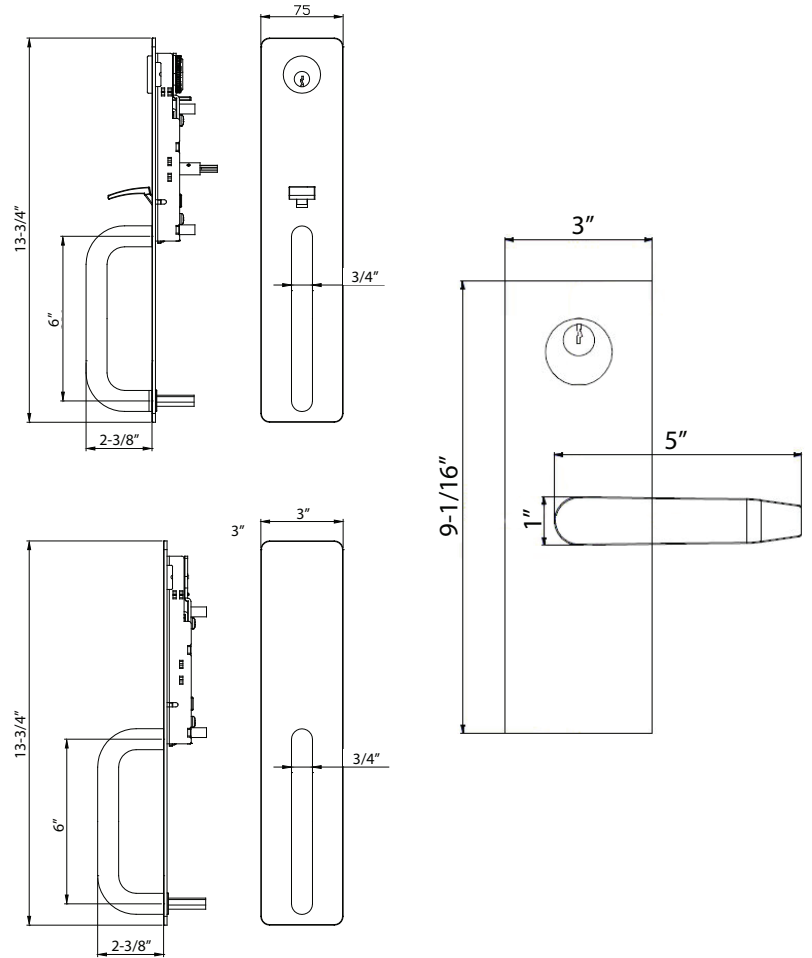
MET400TP10B



MET100L32D



MET300L10B



Standard Features

Escutcheon Lever Trim

Reversible, non-handed lever
Rigid, non-clutch mechanism
Standard for 1-3/4" door thickness

Thru-bolt design

1-1/8" mortise cylinder required for entry/nightlatch function - sold separately

Thumbpiece Trim

Standard for 1-3/4" door thickness

Thru-bolt design

1-1/8" mortise cylinder required for entry/nightlatch function - sold separately

Available Finishes

Dark Bronze
Satin Stainless Steel

Exit Device Functions

Passage	Lever/thumbpiece always operable and free
Entry	Key locks or unlocks lever/thumbpiece
Night Latch	Key unlocks lever/thumbpiece, otherwise always locked
Dummy	Used as pull only