

MaxGrade Hardware  
Professional Grade Quality Locksets  
DB100 Series Grade 1 Deadbolt Specifications



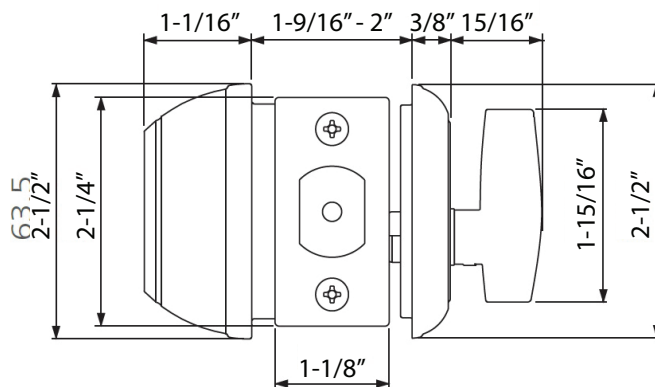
Quality and Value ... to the **MAX!**



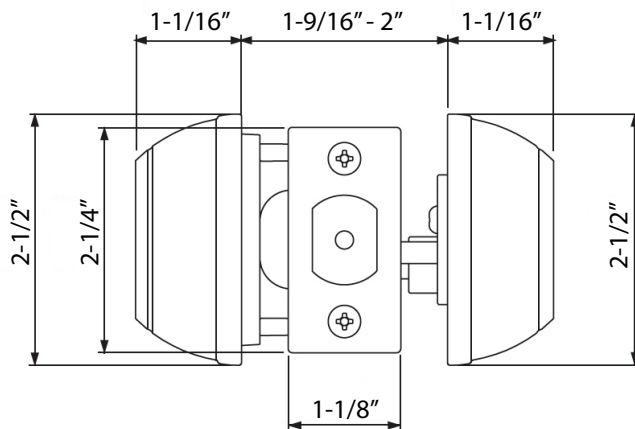
DB10026D  
Single Cylinder



DB10126D  
Double Cylinder



Single Cylinder



Double Cylinder

**Standard Features**

**Latch:** UL Listed, 1-1/8" x 2-1/4" square corner faceplate, 1" throw solid brass latchbolt

**Backset:** Adjustable 2-3/8" or 2-3/4"

**Strike:** 1-1/8" x 2-3/4" square corner with reinforcer and dust box

**Cylinder:** 6 pin solid brass cylinder, Schlage C keyway

**Door Thickness:** 1-9/16" - 2"

**Warranty:** Lifetime mechanical and finish warranty

**Door Prep:** 2-1/8"

**Available Finishes**

Oil Rubbed Bronze (10B)  
Satin Chrome (26D)

**DB100 Series Grade 1 Deadbolt Functions**

<b>DB100</b> Single Cylinder	Deadbolt thrown or retracted by key from outside or by inside thumb turn
<b>DB101</b> Double Cylinder	Deadbolt thrown or retracted by key from either side