

MaxGrade Hardware
Professional Grade Quality Locksets
D Series Grade 1 Cylindrical Levers Specifications



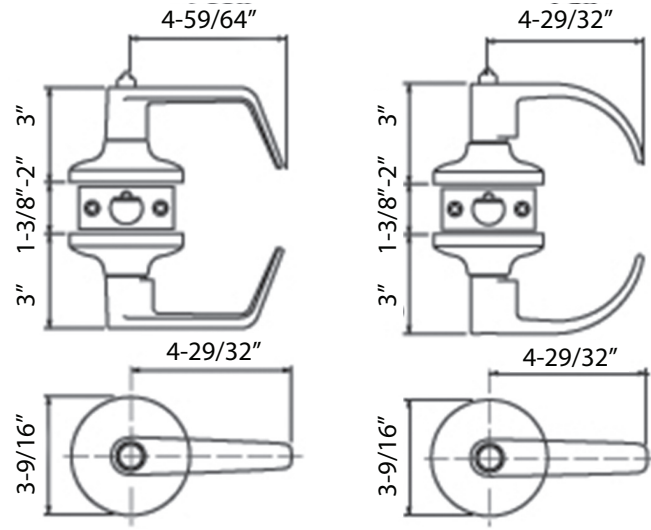
Quality and Value ... to the **MAX!**



PA Privacy



NV Entry



PA Lever

NV Lever

| Standard Features | |
|------------------------|--|
| Latch: | UL Listed, 1-1/8" x 2-1/4" square corner faceplate, 1/2" throw stainless steel latchbolt |
| Backset: | 2-3/4" standard, 2-3/8" optional |
| Strike: | 1-1/4" x 4-7/8" ASA strike standard; 1-1/8" x 2-3/4" T-Strike optional |
| Cylinder: | 6 pin solid brass cylinder, Schlage C keyway |
| Door Thickness: | 1-3/8" - 2" |
| Warranty: | Lifetime mechanical and finish warranty |
| Door Prep: | 2-1/8" bore, 2-3/4" CTC thru-bolts |
| Lever Material: | Pressure Cast Zinc |
| Available Finishes | |
| | Oil Rubbed Bronze (10B) Satin Chrome (26D) |

| D Series Grade 1 Cylindrical Lever Functions | |
|--|--|
| 100 Passage/Hall/Closet | Outside and inside lever always unlocked |
| 200 Privacy/Bed/Bath | Push button locking on inside lever. May be unlocked by emergency release outside, operating inside lever or closing door |
| 300 Entry | Push/Turn button locking on inside lever. Pushing and turning button locks outside lever. Must use key until button is manually unlocked. Pushing button locks outside lever until unlocked by key or operating inside lever |
| 400 Dummy | Single dummy trim for one side of door. Used as a door pull or inactive trim |
| 500 Office | Push button locking on inside lever. Pushing button locks outside lever. Unlocked by key from outside or operating inside lever. Closing door does not release push button |
| 600 Classroom | Outside lever locked or unlocked by key. Inside lever always unlocked |
| 700 Storeroom | Outside lever fixed. Entrance by key only. Inside lever always unlocked |