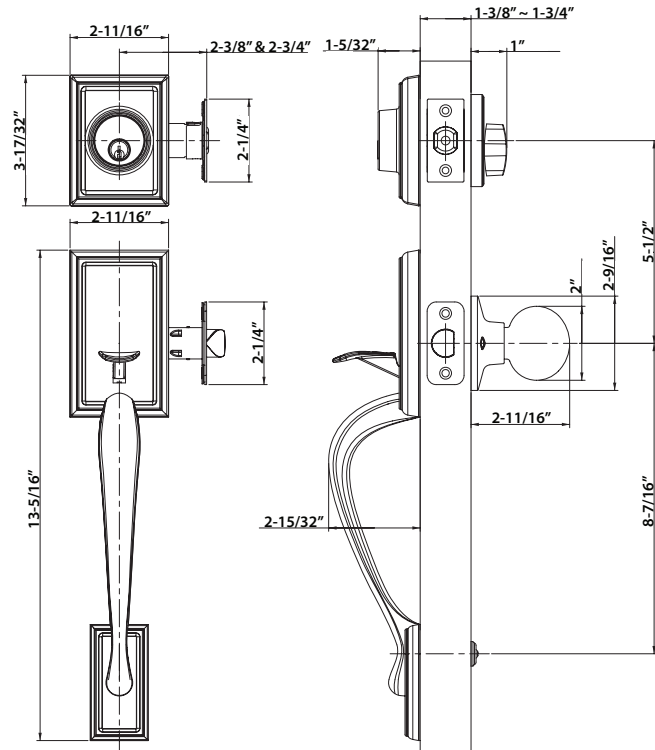


MaxGrade Hardware
Professional Grade Quality Locksets
Brighton Handleset Specifications



Quality and Value ... to the **MAX!**



Standard Features	
Latch:	Deadbolt- 1" housing diameter, 1" throw
	Spring- 1" housing diameter, 1/2" throw
Backset: Adjustable 2-3/8" or 2-3/4"	
Strike:	Deadbolt- 1-1/8" x 2-3/4" square corner
	Spring- 1-3/4" x 2-1/4" radius corner, full lip
Cylinder: 5-pin Schlage or Kwikset keyway	
Door Thickness: 1-3/8" - 1-3/4"	
Grip Material: Zinc	
Warranty: Lifetime mechanical and finish warranty	
Door Prep: 2-1/8" bore	

Available Finishes
Aged Bronze (11H)
Satin Nickel (15)

Brighton Handleset Functions	
800 Entrance Handleset	Active handleset/entrance lock exterior - Outside grip with single cylinder deadbolt and trim
880 Dummy Handleset	Inactive handleset exterior - Includes handleset and dummy cylinder

*Requires interior trim for complete handleset