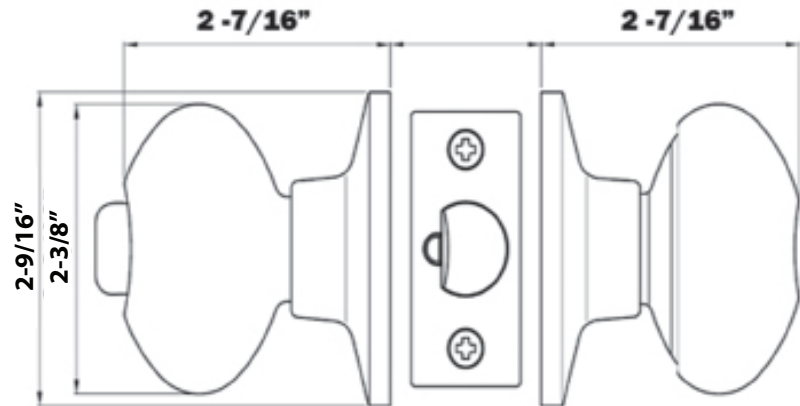


MaxGrade Hardware
Professional Grade Quality Locksets
Baker Knob Specifications



Quality and Value ... to the **MAX!**



Standard Features	
Latch:	1" housing diameter, 1/2" throw
Backset:	Adjustable 2-3/8" or 2-3/4"
Strike:	1-3/4" x 2-1/4" radius corner, full lip
Cylinder:	5-pin Schlage or Kwikset keyway
Door Thickness:	1-3/8" - 1-3/4"
Door Prep:	2-1/8" bore
Knob Material:	Brass
Warranty:	Lifetime mechanical and finish warranty
Available Finishes	
Bright Brass (3)	Satin Nickel (15)
Oil Rubbed Bronze (10B)	
Aged Bronze (11H)	

Baker Knob Functions	
100 Passage/Hall/Closet	Outside and inside knob/lever always unlocked
200 Privacy/Bed/Bath	Turn button locking on inside knob/lever; May be unlocked from outside in an emergency
201 Privacy/Bed/Bath	Push button locking on inside knob/lever; Turning inside knob/lever releases push-button; May be unlocked from outside in an emergency
300 Entry	Entrance Lock - unlocked by key from outside when outer knob/lever is locked by inside turn button
400 Dummy	Single dummy trim for one side of door. Used as a door pull

800-233-4210

topnotchinc.com

maxgradehardware.com