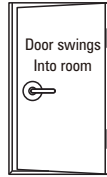


DUMMY LEVER INSTALLATION INSTRUCTIONS & TEMPLATE

1. DETERMINE HANDING OF YOUR DOOR



Left hand door



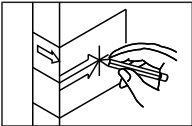
Right hand door

Exterior

Stand on the exterior, outside the room, facing the door.

- (1) The door is left hand door if hinges are installed on your left and door swings into the room.
- (2) The door is right hand door if hinges are installed on your right and door swings into the room.

2. MARK DOOR

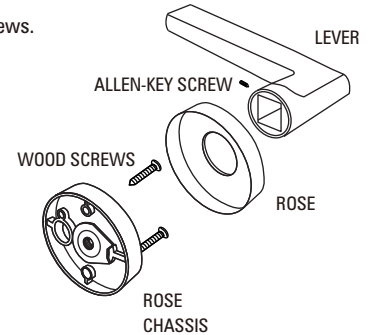


- a. Position the horizontal center line of the template at the height of 914mm (36") or 965mm (38") from the finished floor, fold template on the corner of the door and mark the center of the dummy lever on the door edge.
- b. Select 60mm (2-3/8") or 70mm (2-3/4") backset as desired and mark center of the dummy lever on the face of the door.
- c. Mark the dummy lever mounting holes on the door for the appropriate type of dummy lever installation using the dummy lever. Ensure lever is centered on the marked center.

3. INSTALL DUMMY LEVER

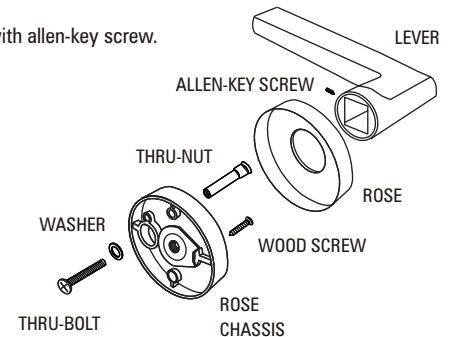
Dummy Surface Mounted (#78)

Pre-drill and install rose-chassis using supplied wood screws.
Install rose on the rose-chassis.
Install lever on rose chassis shaft and secure with allen-key screw.



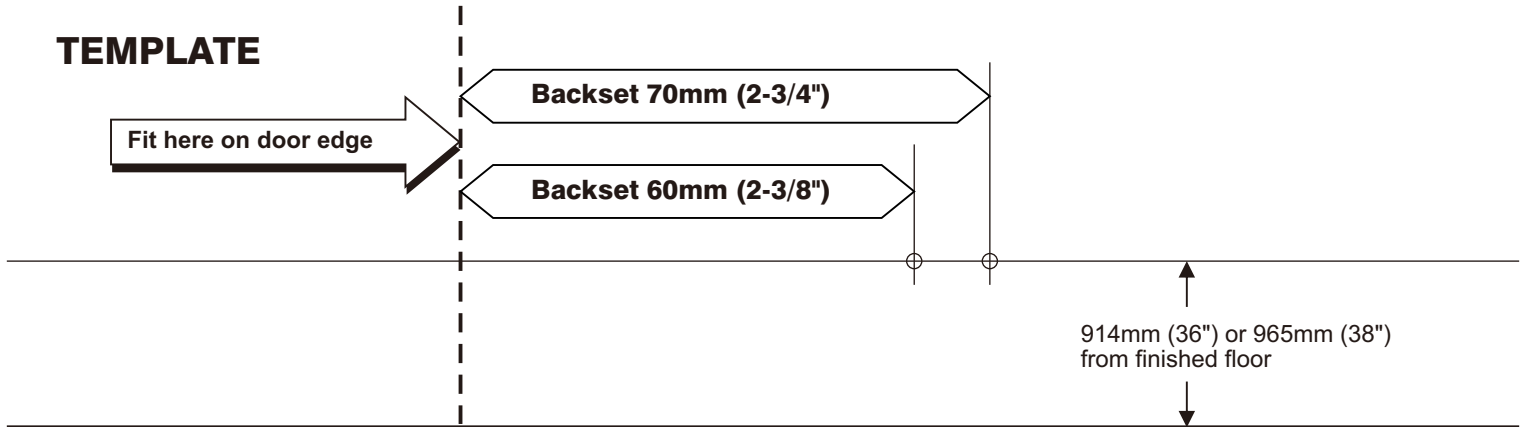
Dummy Thru-bolt (#79)

Drill 8mm (5/16") diameter through hole, fit thru-nut into roes chassis.
Install rose chassis using thru-bolt with cup washer on the inside side of the door.
Pre-drill and install wood screw.
Install rose on the rose-chassis.
Install lever on rose chassis shaft and secure with allen-key screw.



TEMPLATE FOR #78 DUMMY LEVER

TEMPLATE



TEMPLATE FOR #79 DUMMY LEVER

TEMPLATE

